

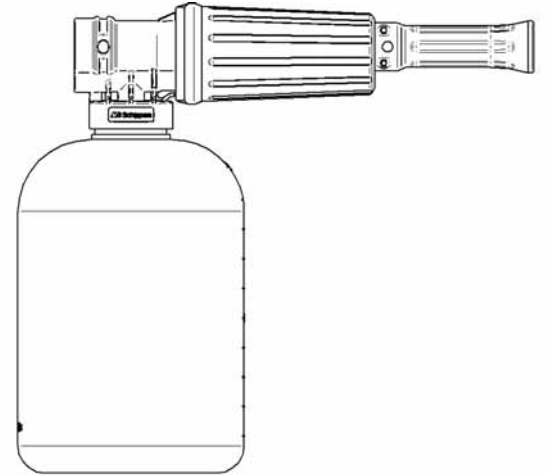
# User Manual ST-73.2 Foam Lance

## Description

The ST-73.2 is for foaming suitable foaming agents. The ST-73.2 foam lance is fitted with an interchangeable injector nozzle and a mesh strainer.

By turning an adjustable grip the concentration of foaming agent in the water can be adjusted.

Available are an optional 1-litre intake container (Product Code 020 073 513) or 2-litre intake container (Product Code 020 073 520).



## General safety notes

- To guarantee safe operation the injector unit may only be used in accordance with these Operating Instructions.
- Keep these Operating Instructions in a safe place for later reference.
- Please also observe the safety instructions for the detergent and if applicable of the high pressure cleaner manufacturer.
- Do not mix detergents one with the other.
- Wear suitable protective clothing and gloves when working.
- Never direct the high-pressure jet at persons or other living creatures.
- Read the safety data sheets and observe the corresponding safety and handling regulations.



**Info** In addition, the required safety and legal regulations for the respective type of use must be observed. This also applies to all accessories used.

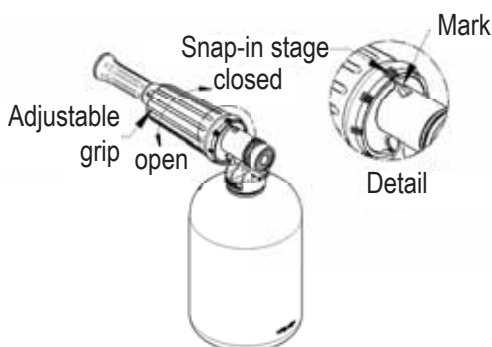


## Intended use

- The ST-73.2 foam lance is used for admixing foaming agent with water, subsequent foaming and then foam application.
- Only Pressure Equipment Directive (PED) Group 2 liquids may be used as media. In case of doubt contact the equipment manufacturer.
- **The housing of the ST-73.2 is made out of PP-GF40.**
- This device may only be operated with an appropriate pressure generator.
- This device is not designed for the use by persons (children included) having limited physical, sensory and mental capabilities due to a lack of experience and/or a lack of knowledge unless they are supervised by a person who is responsible for their safety or they have received instructions from that person regarding the use of the device.
- As a matter of principle it is strictly forbidden that children use this device.



After every use the foam lance needs to be rinsed with clear water from the in- and outside. Otherwise, residues may settle in the foam lance and impair its functionality.



## Operation

By turning the adjustable grip the quantity of foaming agent concentrate can be adjusted. In total the ST-73.2 has five snap-in stages for the fixed positioning of dosage setting and these are gently noticeable when turning the adjustable grip.

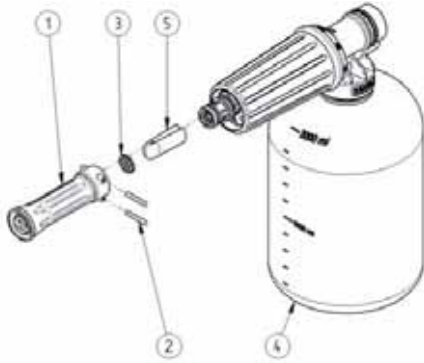
**In Position I = lowest concentration**

**In Position IIIII = highest concentration**

# User Manual ST-73.2 Foam Lance

## Cleaning / replacement of mesh strainer and injector nozzle

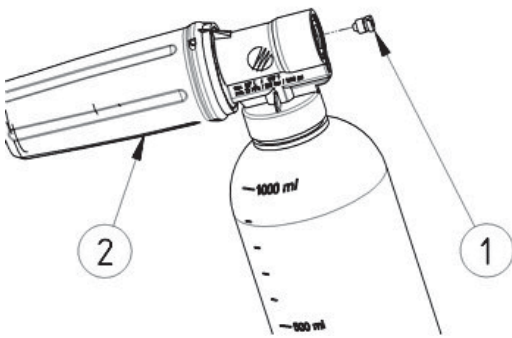
The mesh strainer or the injector nozzle shall be checked if the foam does not have the desired quality. Therefore, the following steps must be carried out:



### Cleaning / replacement of mesh strainer

Both cylindrical pins (2) have to be hit off by means of a pin punch.

1. Remove the foam top (1) including the inner sieve (3) and the mesh strainer (5) from the foam lance (4).
2. Take the sieve (3) and the mesh strainer (5) out of the foam top (1).
3. Rinse the sieve (part number: 040 001 791) and the mesh strainer (part number: 020 000 606) with clear running water. Please replace them if they are damaged or very dirty.
4. When assembling please make sure that the mesh strainer is folded as it was at delivery of the foam lance ST-73.2.
5. The assembly must be carried out in reverse order.



### Cleaning / replacement of injector nozzle

1. Unscrew the injector nozzle (1) from the ST-73.2 foam lance (2)
2. If the injector nozzle (1) is only slightly dirty the removal can be effected by piercing with a piece of wire or the like. Please take care of the corresponding diameter of the nozzle (1)! Otherwise, the nozzle can get damaged. It is also recommended to rinse the injector nozzle (1) clean under running water and the nozzle itself should be aligned with the direction of the water throughput.
3. In case of high soiling and/or sticking dirt the only remedy often is to exchange the injector nozzle (1) (dealer's parts list).
4. Before reassembling the foam lance please check if the O-ring on the injector nozzle is in serviceable condition and replace it if necessary (dealer's parts list).

## Technical data

### Version ST-73.2

Max. pressure	300 bar
Min. pressure	70 bar
Max. flow 1.25 nozzle	12 liters/min
Max. flow 1.8 nozzle	27 liters/min
Weight	approx. 0.5 kg