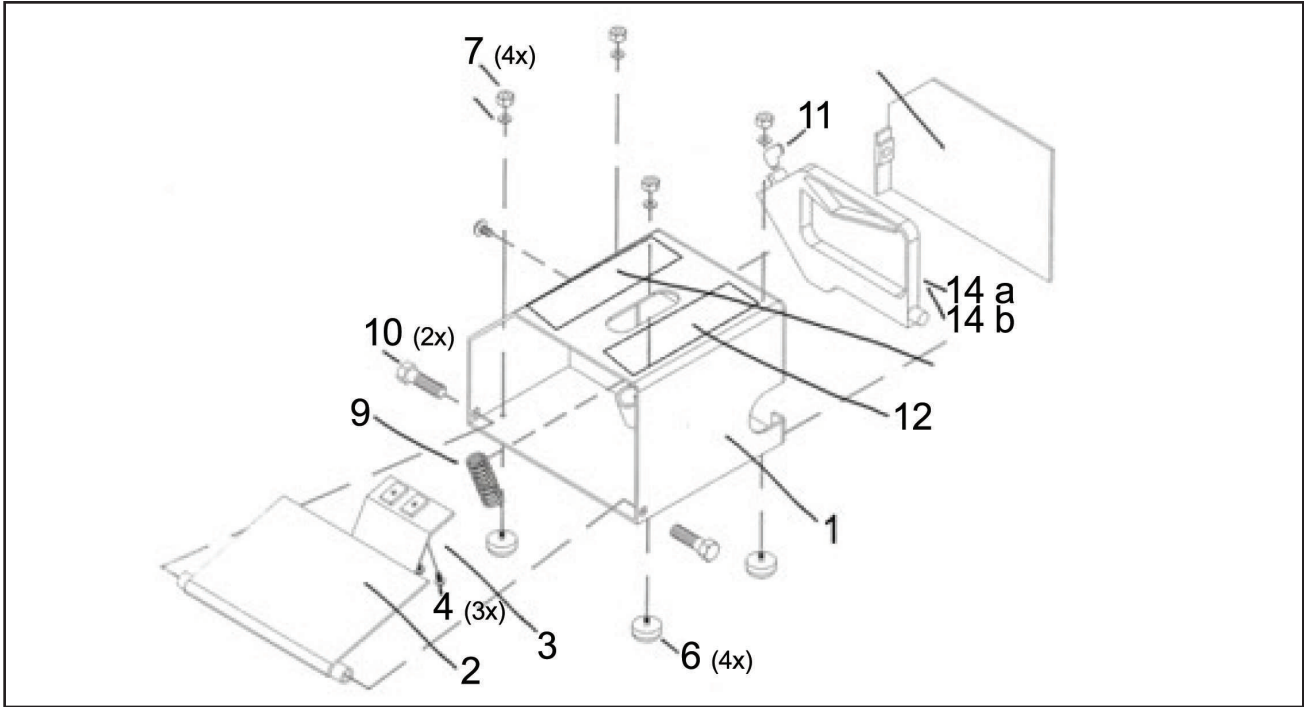


Spare Parts
Foot Actuated Valve (green)
Item-No. 999002305 & 999002700



Pos.	Item-No.	Description
1	910000001	Housing
2	910000002	Pedal
3	910000003	Trigger block
4	910000004	Screws 1/4" - 20 x 1/2" block/plate (3x)
5	910000005	Back cover
6	910000006	Rubber feet (4x)
7	910000007	Nuts 10-24 for rubber bumper (4x)
8	910000008	Washers 10-24 for rubber bumper (4x)
9	910000010	Spring
10	910000011	Bolts 7/6" - 14 x 1 1/2"
11	910000012	Elbow, plated steel
12	910000014	Warning label
13	910000015	Instruction label
14a	202305600	ST-2305 spray gun, easy pull trigger, 5000 PSI
14b	202700600	ST-2700 stainless steel spray gun, relax-acion trigger, 5000 PSI