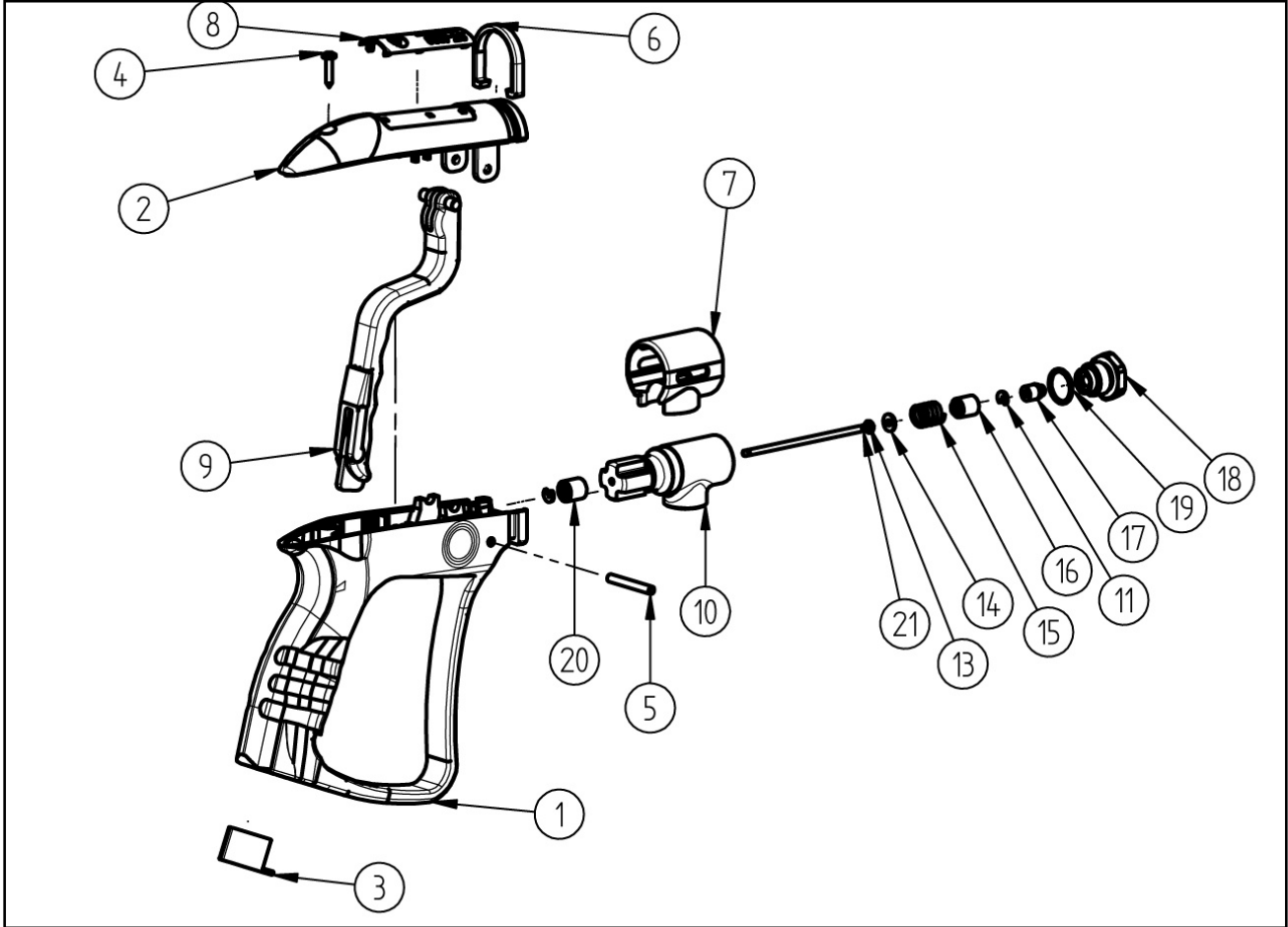


**Spare Parts**  
**ST - 860D Steam Gun**  
 Item-No. 200860550



Pos.	Item-No.	Description	Pos.	Item-No.	Description
1	02 0002 340	Plastic housing	14	01 0000 761	Washer
2	02 0002 350	Plastic cover	15	06 0000 560	Spring
3	02 0002 370	Cap	16	04 0000 675	Ball holder
4	04 0000 050	Screw zinc plated	17	02 0000 390	Conical nipple
5	01 0000 900	Pin 4x34	18	04 0003 240	Outlet nut G1/4 female
6	02 0002 391	Clip	19	05 0000 041	O-Ring 14,1x1,6
7	02 0002 560	Heat cover	20	02 0001 790	Washer, plastic
8	02 0002 420	Label	21	04 0001 820	Piston rod
9	20 0860 450	Trigger black/red complete			
10	01 0000 865	Brass housing ST-860			
11	06 0000 195	Lock ring			
12*	05 0000 640	Back ring U 3x5,9x1,2			
13	05 0000 261	O-ring 2,9x1,78 FEPM 90Shore			