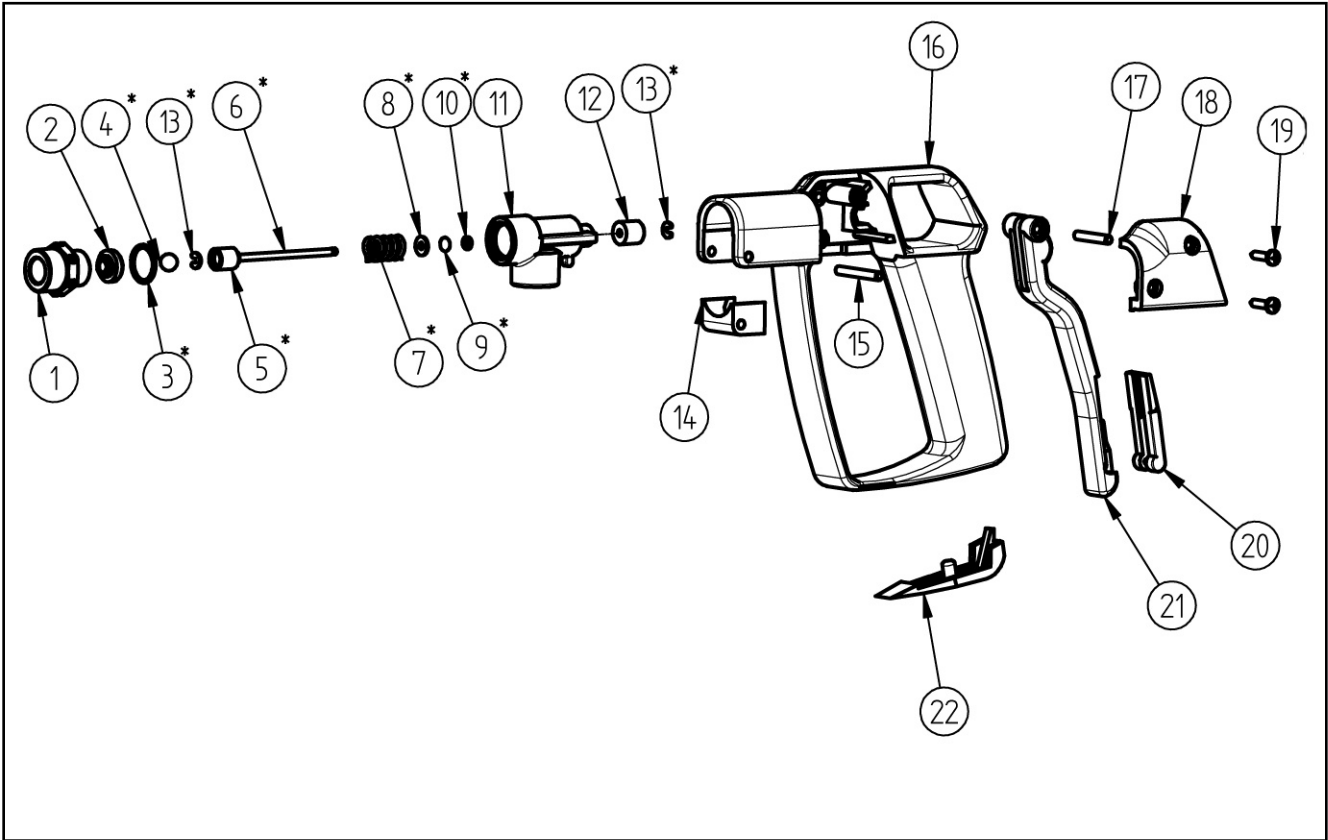


Spare Parts
Spray Gun ST - 810 P.O.M. 1/4 FNPT
Item-No. 200810525



Pos.	Item-No.	Description
1	10 0000 091	Outlet nut
2	02 0000 310	Sealing seat ST-810
3	05 0000 040	O-Ring 14,1x1,6
4	04 0000 330	ball
5	04 0000 675	Ball holder
6	04 0000 490	Piston rod ST-810
7	06 0000 560	Pressure spring
8	01 0000 761	Washer
9	05 0000 260	O-Ring
10	05 0000 640	Back ring
11	01 0000 138	Housing ST-810 1/4" NPT
12	02 0001 790	Washer, plastic
13	06 0000 195	Lock ring
14	02 0001 880	Housing cap
15	01 0001 260	Pin 4x32
16	02 0001 755	Plastic housing ST-810

Pos.	Item-No.	Description
17	01 0001 245	Pin 4x25
18	02 0001 760	Cover ST-810
19	04 0000 050	Screw
20	02 0001 810	Lock
21	02 0001 800	Trigger ST-810
22	02 0001 770	Housing cover ST-810