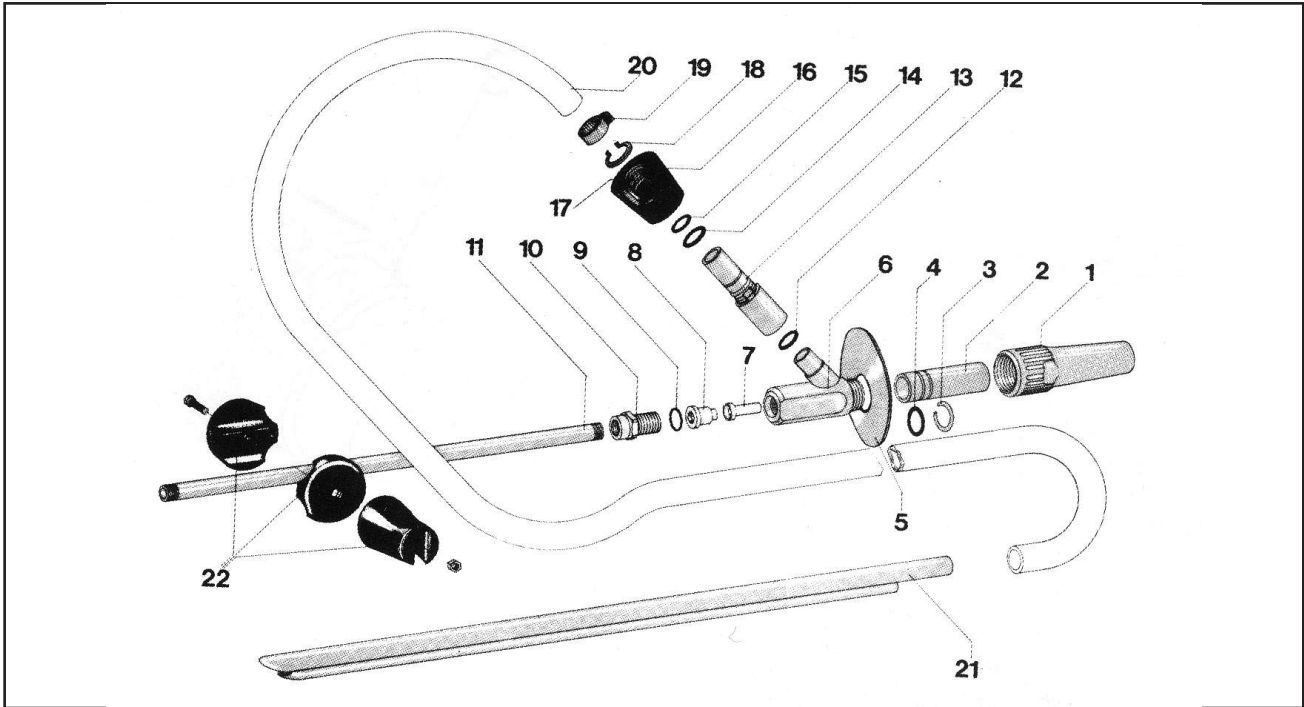


Spare Parts
ST - 55 Sandblasting Kit



| Pos. | Item-No. | Description |
|------|-----------|---------------------------------------|
| *1 | 200055520 | Nozzle holder |
| *2 | 200055540 | Sand nozzle, silver steel (1 per kit) |
| | 200055541 | Sand nozzle, carbide (1 per kit) |
| *3 | 050000450 | Lock ring |
| *4 | 050000450 | O-ring |
| 5 | 020001055 | Splash guard |
| 6 | 010000890 | Housing, brass |
| *7 | 040000625 | Insert |
| 8 | 200055040 | Water nozzle #4.0 |
| | 200055050 | Water nozzle #5.0 |
| | 200055060 | Water nozzle #6.0 |
| | 200055070 | Water nozzle #7.0 |
| | 200055080 | Water nozzle #8.0 |
| 9 | 050000550 | O-ring |
| 10 | 010000790 | Inlet nut |
| 11 | 070000030 | Lance, 500 mm |

| Pos. | Item-No. | Description |
|------|-----------|---------------------------|
| 12 | 050000570 | O-ring |
| *13 | 200055511 | Adjustment pipe, complete |
| *14 | 050000580 | O-ring |
| *15 | 050000590 | O-ring |
| *16 | 020000120 | Adjustment knob |
| *17 | 010000520 | Stop nut, brass |
| *18 | 050000600 | Lock ring |
| 19 | 130000410 | Hose clip |
| 20 | 080000030 | Hose, PVC |
| 21 | 040000550 | Suction pipe |
| 22 | 200055480 | Hose holder, complete |
| * | 200055495 | Repair kit ST-55 |
| * | 200055510 | Adjustment part |